

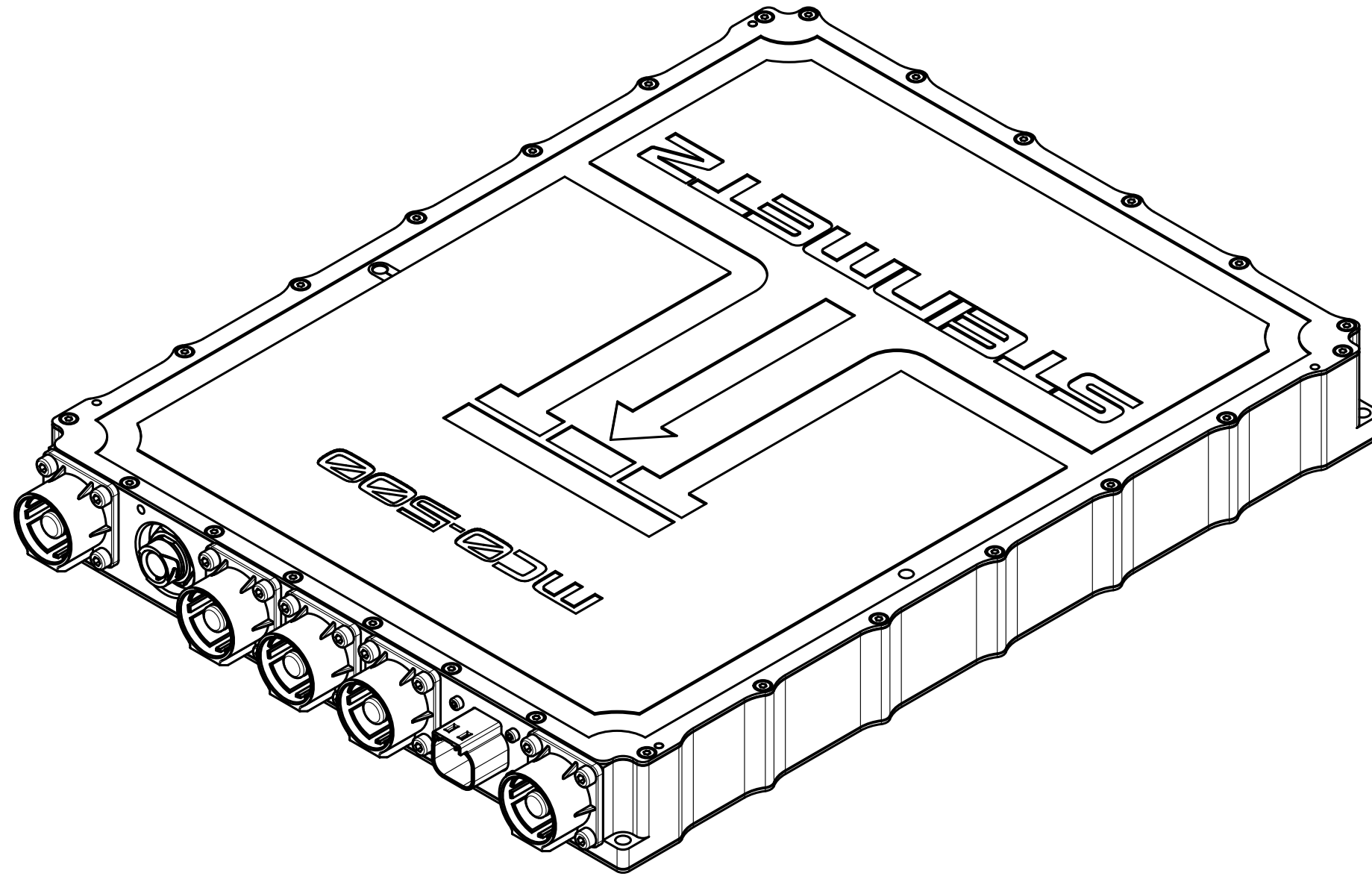
4

3

2

1

REV	DATE	DESCRIPTION	AUTHOR
1	11/05/2025	INITIAL RELEASE	SAMUEL SUN



UNLESS OTHERWISE SPECIFIED, DIMENSIONS ARE IN MILLIMETERS	
THIRD ANGLE PROJECTION	
DO NOT SCALE DRAWING	
BREAK ALL SHARP EDGES AND REMOVE BURRS	
MATERIAL	N/A
FINISH	NONE

STEINMETZ		STEINMETZ, INC. 2565 3RD STREET, STE 304 SAN FRANCISCO, CA 94107	
TITLE MC0-500			
SIZE B	DWG NO.	REV.	
SCALE 1:2	WEIGHT	SHEET 1 of 4	

4

3

2

1

D

D

C

C

B

B

A

A

4

3

2

1

IO PORTS

D

D

PHASE C
AMPHENOL PL00X-301-10D8

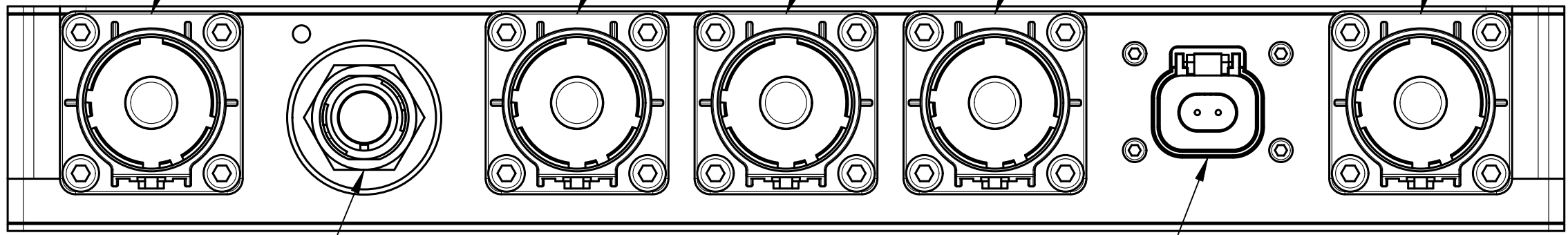
PHASE B
AMPHENOL PL00X-301-10D8

PHASE A
AMPHENOL PL00X-301-10D8

DC+
AMPHENOL PL00X-301-10D8

DC-
AMPEHNOL PL00X-301-10D8

FRONT IO



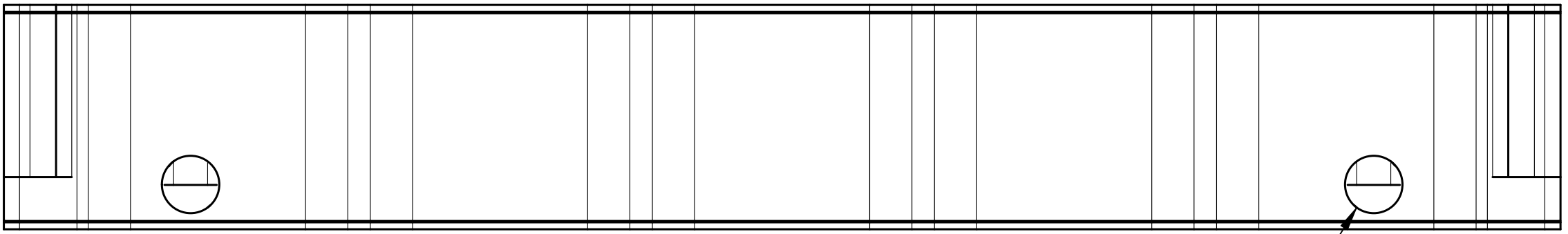
LV
HIROSE LF13WBRB-20SD

ETHERNET
TE 9-2367359-1

C

C

REAR IO



COOLANT PORTS
2X 1/4"-18 NPT

B

B

A

A

TITLE		MC0-500	
SIZE	DWG NO.	REV.	
B			
SCALE	WEIGHT	SHEET	2 of 4
1:1			

4

3

2

1

4

3

2

1

OVERALL DIMENSIONS

D

D

C

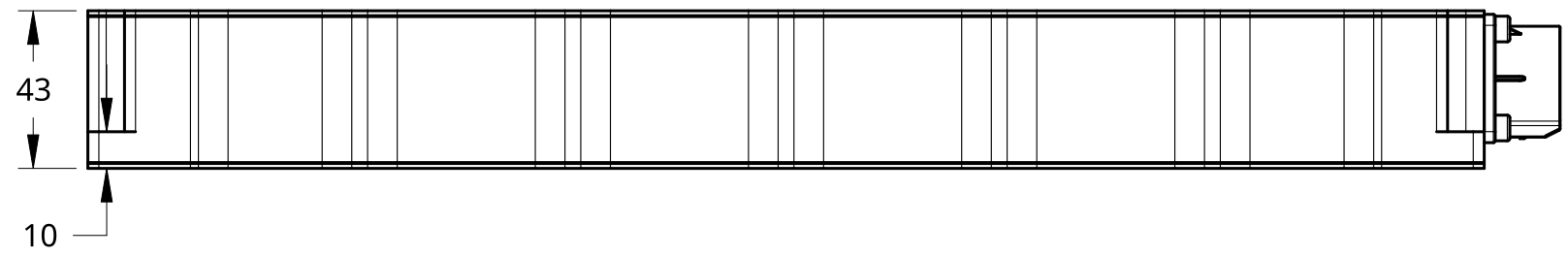
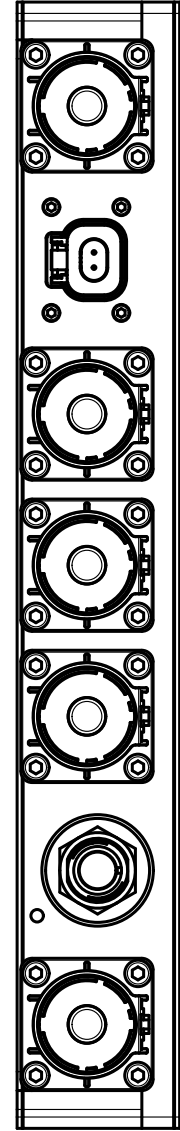
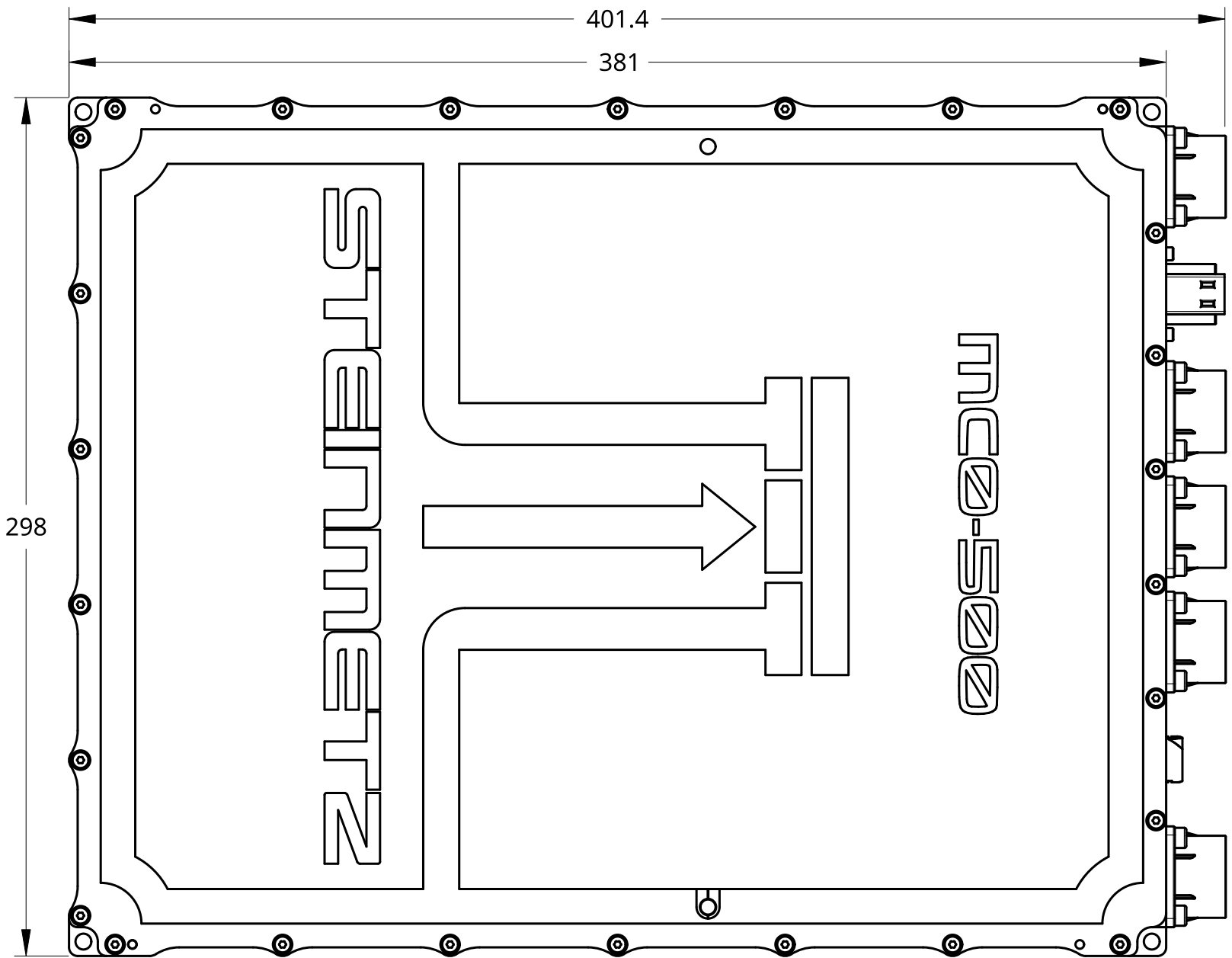
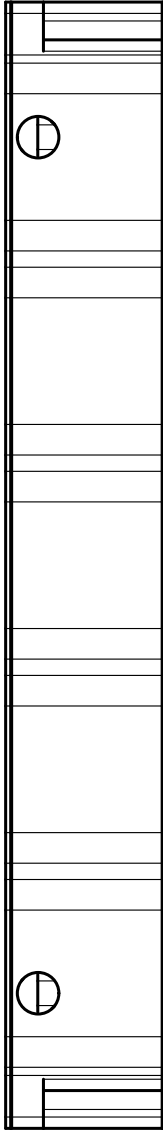
C

B

B

A

A



4

3

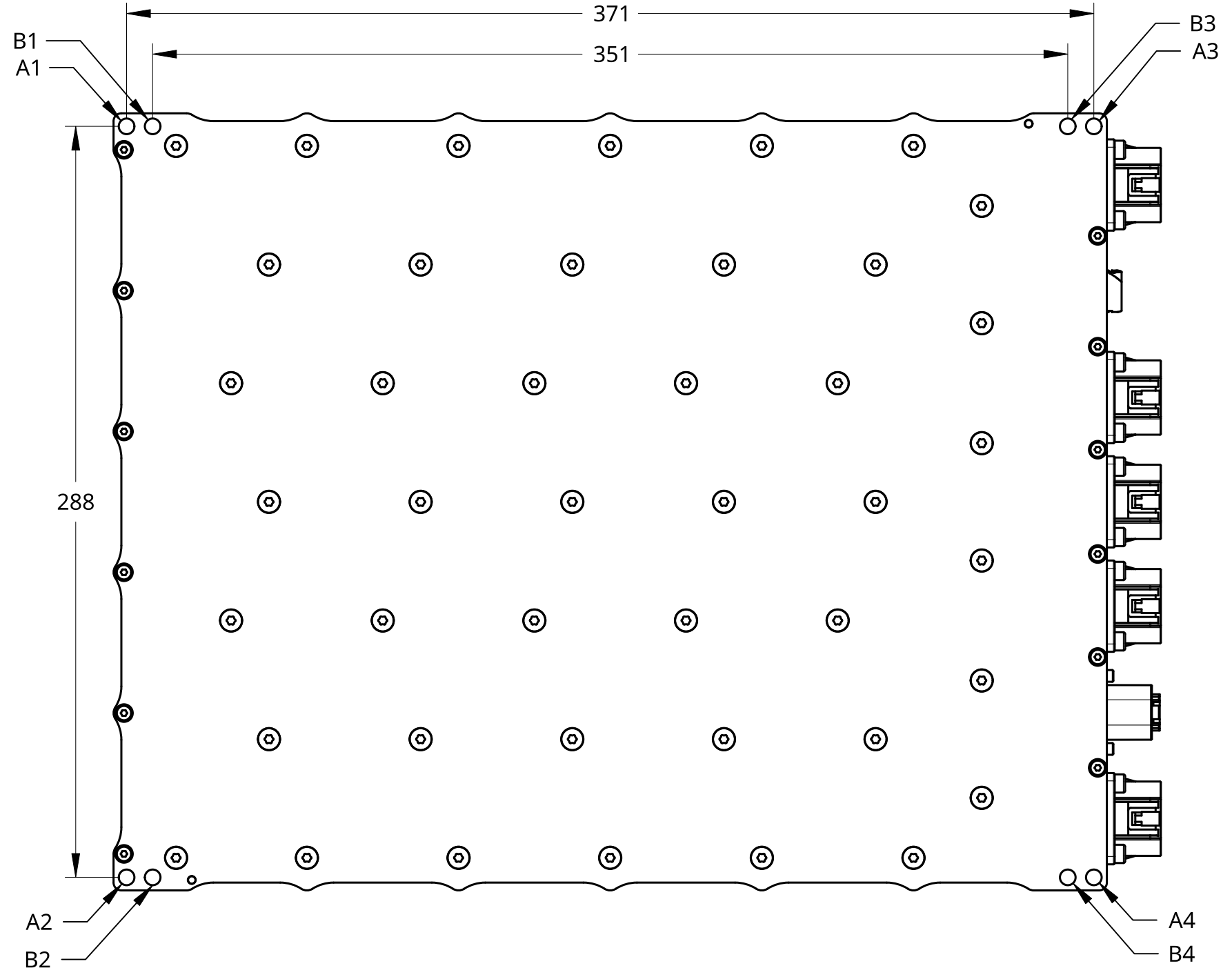
2

1

TITLE		MC0-500	
SIZE	DWG NO.	REV.	
B			
SCALE	1:2	WEIGHT	SHEET 3 of 4

MOUNTING HOLE PATTERN

HOLE TABLE	
TAG	SIZE
A1	Ø5.5 THRU
A2	
A3	
A4	
B1	M5x0.8 ▽10
B2	
B3	
B4	



TITLE		MC0-500	
SIZE	DWG NO.	REV.	
B			
SCALE	1:2	WEIGHT	SHEET 4 of 4

4

3

2

1

D

D

C

C

B

B

A

A

4

3

2

1